

All rights reserved by **CNH Industrial**.

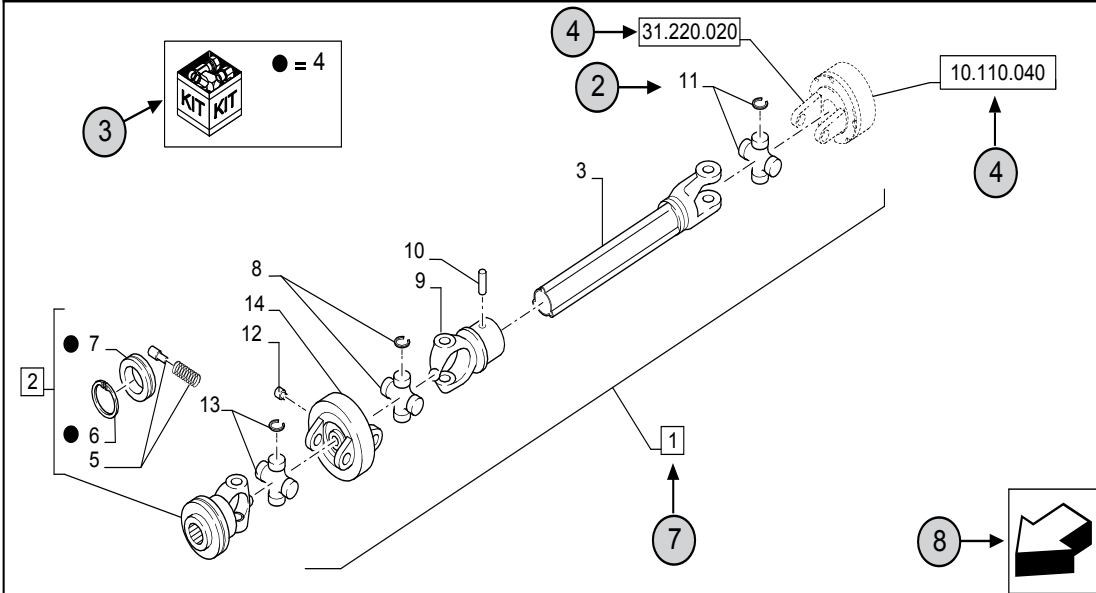
The information contained in this catalogue is intended to be of a general nature only. **CNH Industrial** may at any time and from time to time, for technical or other necessary reasons, modify any of the details or specifications of the product described in this catalogue.

To be sure of getting accurate, detailed and up-to-date information, an intending buyer should consult his nearest **CNH Industrial** dealer or distributor.

Single item numeration method used in this catalogue may not be used without written consent from **CNH Industrial**

31.220.010	01	p1	10/2014
------------	----	----	---------

VAR - 123782, 789101,987654 - PTO - D650



STANDARD ← 6

23	9	10	31.220.010	01	p1	10/2014
----	---	----	------------	----	----	---------

VAR - 123782, 789101,987654 - PTO - D650

11 12 13 14

REF	FN	PART NUMBER	YR/SN	QTY	DESCRIPTION
1	1	86529340	20	1	SHAFT PTO, Incl 2 - 11
2	15	84014007		1	YOKE, Incl 4 - 7 ← 7
3	16	NSS		1	NOT SERVICED SEPARATELY, SHAFT, 350mm, Incl in 1
4		84004292		1	KIT, Seal Kit, Incl 6, 7 ← 17
4		{84058743}		1	KIT, Seal Kit, Incl 6, 7
2	18			21	
	19			22	
		1 = FOR ITALY ONLY ← 5			

MODELS ← 1


- 1 Model Number and Model Description
- 2 Reference - Figure call-out of the part number.
- 3 Parts supplied in repair kits per symbol reference.
- 4 31.220.020 Part illustrated on the **Page** or in the **Figure** indicated, or calls for **Variations** or **Details**. Indicates components shown in detail elsewhere in the catalogue under the figure number shown.
- 5 Footnote references
- 6 Figure notes
- 7 1 2 Includes item(s) (See Description within partlist).
- 8 Orientation. (Arrow indicates front of the machine). 
- 9 Figure description.
- 10 General information of the figure.
- 11 Figure title number that aligns with the SRT. Standard Repair Time.
- 12 **Sequence** code within the assembly.
- 13 Page number within the sequence code.
- 14 **Date** of printing or updating of page (month-year).
- 15 **Note** - Relating to the Part Number. There is a key to symbols and abbreviations at the bottom of the text page.
- 16 Non-serviced parts.
- 17 Further description of the part to help confirm identification.
- 18 Not available as service part.
- 19 Part Number.
- 20 To be defined.
- 21 Total **Quantity** of the Part referred to in the page.
The quantity can be replaced by the following indications:
AR = quantity as requested.
- 22 Part **Description**.
- 23 Variant Codes

TABLE OF CONTENTS

06A01	BLOCK, HEAD & RELATED PARTS
06B01	CRANKSHAFT, FLYWHEEL & RELATED PARTS
06C01	CAMSHAFT, ROCKER ARM, VALVES & RELATED PARTS
06D01	PISTONS & CONNECTING RODS
06E01	OIL PUMP & OIL PAN
06F01	MANIFOLD & TURBOCHARGER
06F02	TURBOCHARGER ASSEMBLY
06G01	AIR CLEANER & EXHAUST - FORD
06G02	AIR CLEANER & EXHAUST - CUMMINS
06H01	BLOCK HEATER & ENGINE MOUNTING FOR FORD ENGINE
06H02	ENGINE MOUNTING FOR CUMMINS ENGINE
09A01	FUEL SYSTEM W/FORD ENGINE
09A02	FUEL INJECTOR ASSEMBLY
09A03	FUEL PUMP ASSEMBLY, DPS ROTARY FUEL INJECTION, UPPER HALF
09A04	FUEL PUMP ASSEMBLY, DPS ROTARY FUEL INJECTION, LOWER HALF
09B01	FUEL SEDIMENTOR & FILTER ASSEMBLY
09C01	PRIMER PUMP ASSEMBLY
09D01	COLD START & HYDRAULIC OIL HEATER
09D02	COLD START HEATER & HYDRAULIC OIL HEATER FOR CUMMINS ENGINE
09E01	THROTTLE
09F01	FUEL TANK & RELATED PARTS
09G01	KIT, FUEL PUMP
07A01	TRANSMISSION CAMPLATE & COVER (88/89)
07A02	TRANSMISSION CAMPLATE & COVER (84/87)
07A03	TRANSMISSION COUNTERSHAFT & PINION
07A04	TRANSMISSION OUTPUT SHAFT
07B01	HYDROSTATIC CONTROL, FORWARD-NEUTRAL-REVERSE
07C01	RANGE CONTROL
07D01	DRIVELINES & TRANSMISSION MOUNTING
07D02	CAB END DRIVELINES
07D03	CAB END DRIVESHAFTS
07D04	ENGINE END DRIVELINES
07E01	540 RPM & 1000 RPM CAB END DROPBOX
07E02	DUAL SPEED CAB END DROPBOX
07E03	ENGINE END DROPBOX
07F01	TRANSFER CASE

TABLE OF CONTENTS

07G01		HYDROSTATIC DRIVE (88/89)
07G02		HYDROSTATIC DRIVE (84/87)
07G03		HYDROSTATIC MOTOR (87/90)
07G04		HYDROSTATIC MOTOR (84/86)
07G05		VALVE BLOCK
07G06		HYDROSTATIC PUMP (87/89)
07G07		HYDROSTATIC PUMP (84/86)
07G08		HYDROSTATIC PUMP CONTROL VALVE
07G09		CHARGE PUMP
07G10		SPLITTER BOX (88/89)
07G11		SPLITTER BOX (1-87/12-87)
07G12		SPLITTER BOX (84/86)
07H01		CLUTCH
07H02		CLUTCH - PTO
07H03		CONTROL LINKAGE
07J01		CONTROLS & LINKAGE
08A01		WATER PUMP & RELATED PARTS
08B01		RADIATOR & RELATED PARTS
04A01		AXLE W/STANDARD DIFFERENTIALS
04A02		AXLES W/POWERLOCK DIFFERENTIALS
04A03		AXLES W/TRUTRAC DIFFERENTIALS
04B01		AXLE MOUNTING
04C01		DROPBOX - 276
04C02		DROPBOX - 256 - 84/12-85
02A01		BRAKES
02A02		BRAKE LINKAGE
02B01		MASTER CYLINDER BRAKE
02C01		PARKBRAKE
11A01	01	ENGINE ELECTRICAL, FORD
11A01	02	ALTERNATOR REPLACEMENT KIT, DELCO 95 AMP
11A02		ENGINE ELECTRICAL, CUMMINS
11A03		ENGINE END ELECTRICAL
11B01		BATTERY MOUNTING (88/89)
11B02		BATTERY MOUNTING, (84/87)
11C01		STARTING MOTOR ASSEMBLY - DIESEL 5" DIA - FOR FORD ENGINE ENGINE
11D01		JUNCTION BOX

TABLE OF CONTENTS

11E01	LIGHTS
03A01	STEERING VALVE
03B01	STEERING CYLINDER
05A01	HYDRAULIC COMPONENTS
05B01	DETENT IMPLEMENT CONTROL
05B02	FLOAT IMPLEMENT CONTROL
05B03	STANDARD IMPLEMENT CONTROL
05B04	FLOW CONTROL
05B05	CAB END CONTROLS & HYDRAULIC CIRCUIT
05B06	HYDRAULIC COUPLER CONTROL
05C01	CAB END ROCKSHAFT MOUNTING
05C02	LIFT CYLINDERS
05C03	ENGINE END ROCKSHAFT MOUNTING
05D01	ROTATING BASE
05E01	ENGINE END HYDRAULIC LINES
05E02	HOSES & TUBING (88/89)
05E04	HOSES & TUBING (84/89)
05F01	IMPLEMENT CONTROL VALVE, CAB
05F02	IMPLEMENT VALVE DETENT SECTION
05F03	IMPLEMENT FLOAT SECTION
05F04	IMPLEMENT VALVE STANDARD SECTION (84/90)
05F05	IMPLEMENT VALVE SOLENOID SECTION (84/89)
05F06	3 SPOOL IMPLEMENT VALVE ASSEMBLY, ENGINE
05F07	IMPLEMENT VALVE SOLENOID SECTION (88/89)
05F08	IMPLEMENT VALVE STANDARD SECTION (87/90)
05G01	CAB END LINKAGE
05G02	ENGINE END LINKAGE
05G03	LIFT LINKS
05H01	COMPLETION PACKAGE W/O PTO
05J01	HYDRAULIC PUMP
05K01	KIT, HOLDING VALVE
14A01	FRONT FRAME (87/)
14A02	FRONT FRAME (84/86)
14B01	REAR FRAME (87/6-90)
14B02	REAR FRAME (84/86)
14C01	HOOD, PANELS & GRILLE

TABLE OF CONTENTS

14C02	HOOD - DOORS & SUPPORT
01A01	WHEELS
01A02	DUAL WHEELS
12A01	INSTRUMENT PANEL
16A01	EXTERIOR DECALS - ENGLISH (88/89)
16A02	EXTERIOR DECALS - ENGLISH (84/87)
16A03	EXTERIOR DECALS - FRENCH (88/89)
16A04	EXTERIOR DECALS - FRENCH (84/87)
16B01	INTERIOR DECALS - ENGLISH
16B02	INTERIOR DECALS - FRENCH
15A01	ROPS CAB
15A02	CONSOLE COVERS, MIRRORS & ROOF
15A03	INTERIOR COVER & MOUNTING CONSOLE TOPS
15A04	FIXED WINDOW & MATS (87/89)
15A05	FIXED WINDOWS & MATS (84/86)
15A06	REAR WINDOW
15A07	DOORS
15B01	CONSOLE W/SEAT
15C01	CAB ELECTRICAL
15C02	ROOF ELECTRICAL
15D01	CAB END AIR CONDITIONER (87/90)
15D02	CAB END AIR CONDITIONER (84/86)
15D03	ENGINE END AIR CONDITIONER (87/89)
15D04	ENGINE END AIR CONDITIONER (84/86)
15D05	COMPRESSOR & PULLEY
15D06	COMPRESSOR MOUNTING (88/89)
15D07	COMPRESSOR MOUNTING (84/87)
15E01	HEATER & DUCTING (88/6-90)
15E02	HEATER & DUCTING (84/87)
15F01	WINDSHIELD WIPERS
15G01	HEADLINER & LOUVERS
15H01	AM/FM RADIO & CASSETTE
15J01	REAR WINDOW DEFROST FAN
15K01	KIT - DEFROSTING IMPROVEMENT
13A01	SEAT
13A02	LOWER SUSPENSION SEAT

TABLE OF CONTENTS

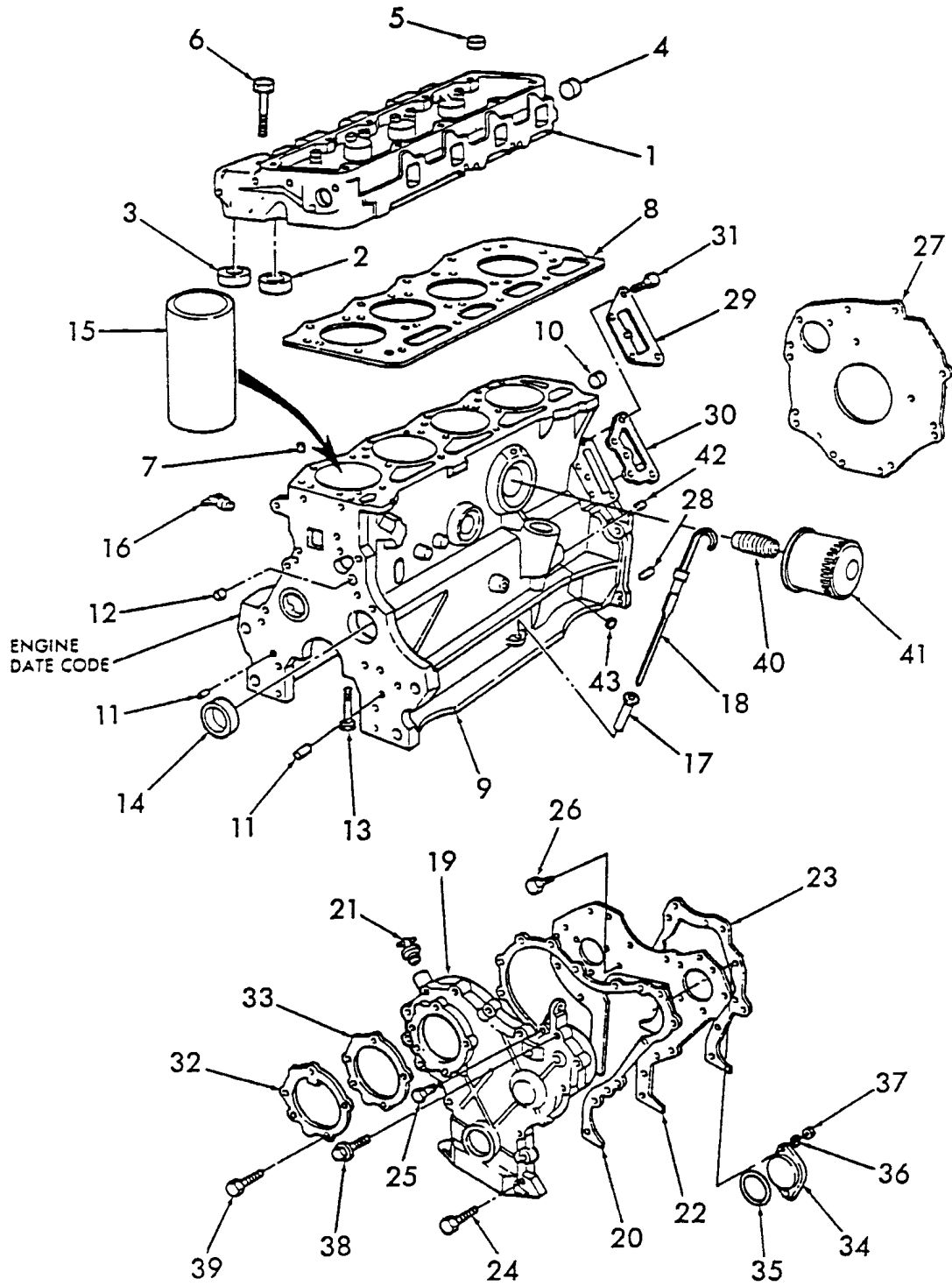
13A03	UPPER SEAT
17A01	CONVERTIBLE BUMPER & HITCH
17C01	HIGH USAGE ITEMS
05E03	HOSE, TUBE, 88-89

SECTION INDEX

ENGINE

06A01	BLOCK, HEAD & RELATED PARTS
06B01	CRANKSHAFT, FLYWHEEL & RELATED PARTS
06C01	CAMSHAFT, ROCKER ARM, VALVES & RELATED PARTS
06D01	PISTONS & CONNECTING RODS
06E01	OIL PUMP & OIL PAN
06F01	MANIFOLD & TURBOCHARGER
06F02	TURBOCHARGER ASSEMBLY
06G01	AIR CLEANER & EXHAUST - FORD
06G02	AIR CLEANER & EXHAUST - CUMMINS
06H01	BLOCK HEATER & ENGINE MOUNTING FOR FORD ENGINE
06H02	ENGINE MOUNTING FOR CUMMINS ENGINE

BLOCK, HEAD & RELATED PARTS

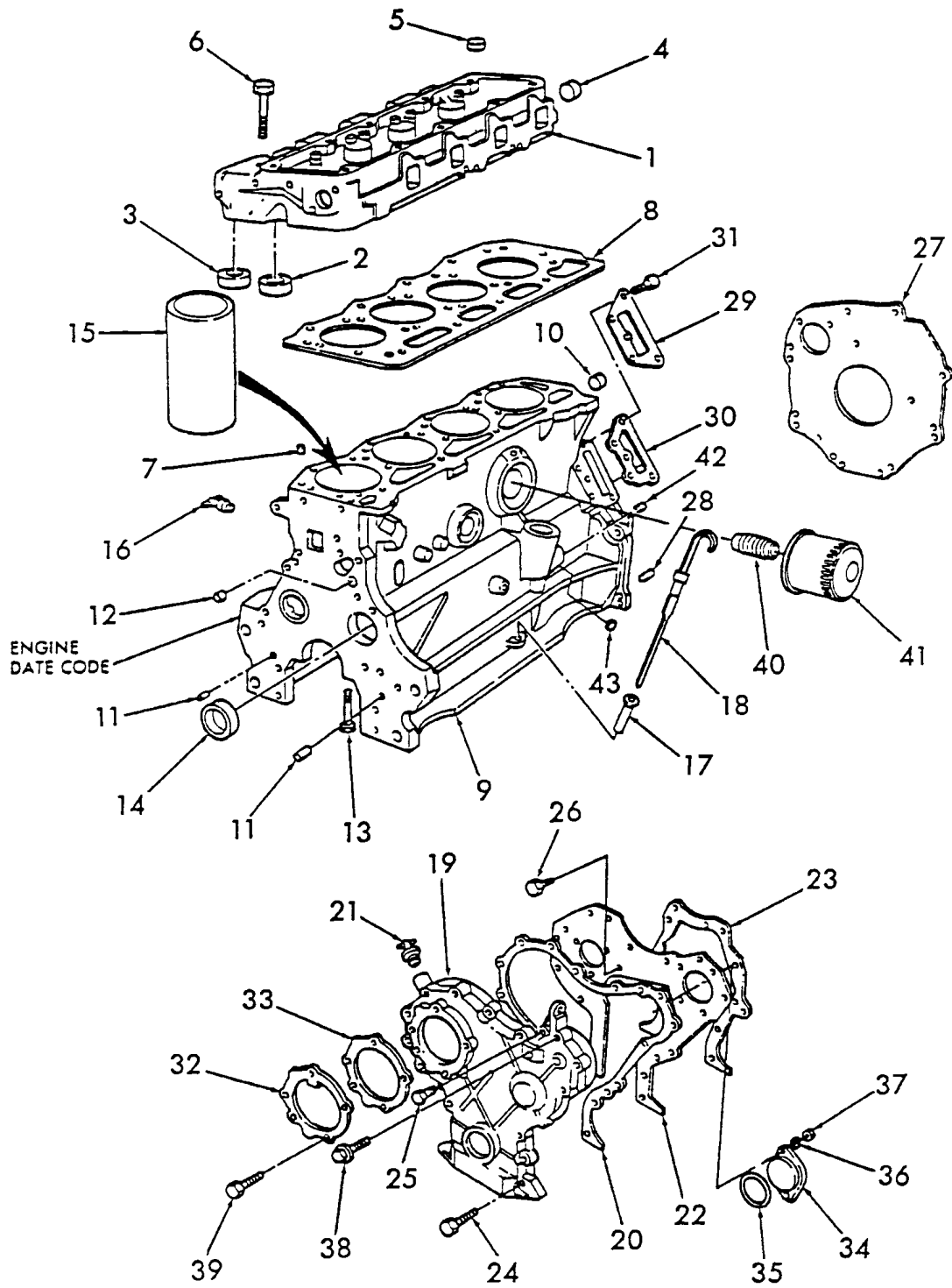


BLOCK, HEAD & RELATED PARTS

REF FN	PART NUMBER	YR/SN	QTY DESCRIPTION
	87840243		1 ENGINE Engine Assy.
	E8NN6009ACC		1 CORE-SHORT ENGINE Return Number, Block, Short, N.A. Only
1	87840386		1 SHORT ENGINE Cylinder Block & Crankshaft
	87840386C		1 CORE-SHORT ENGINE Return Number, N.A. Only
	84227838R		1 REMAN-SHORT ENGINE Remanufactured, Block, Short, N.A. Only
	84227838C		1 CORE-SHORT ENGINE Return Number, Block, Short, N.A. Only
	87029832		1 REMAN-REPLACEMENT EN 276V (9/84 - 7/88 & 11/88 - 3/90), 276 II (11/88 - 3/90), 4 Cyl., 268 CID, Turbocharged, w/Rotary DPS Inj. Pump
	87029833		1 CORE-REPLACEMENT ENG Return Number
1	87800094		1 CYLINDER HEAD Head Assy. Includes: Ref. 2 & 3
2	E1TN6E087AA		4 INSERT Insert, Intake Valve Standard
2	E1TN6E087BA		AR INSERT Insert, Intake Valve, .010" (.254mm) O/S
2	E1TN6E087CA		AR INSERT Insert, Intake Valve, .020" (.508mm) O/S
2	E1TN6E087DA		AR INSERT Insert, Intake Valve, .030" (.762mm) O/S
3	E9NN6057DA		4 INSERT Insert, Exhaust Valve, Standard
3	E9NN6057EA		AR INSERT Insert, Exhaust Valve, .010" (.254mm) O/S
3	C9NN6057L		AR INSERT Insert, Exhaust Valve, .020" (.508mm) O/S
3	87800557		AR INSERT Insert, Exhaust Valve, .030" (.762mm) O/S
4	83957025		1 PLUG Plug, Cup, 1.760"-1.762" O.D.
5	83957021		4 PLUG Plug, Cup, 1.12"
	83957022		AR PLUG Plug, 1.185" O.D. O/S
	83957026		AR PLUG Plug, 1.184" O.D. O/S
(1)	When replacing older block you may have to order new balancer gears F1NN6B303BA & F1NN6B302BA		

**276V-VERSATILE BIDIRECTIONAL TRACTOR 276VII-VERSATILE
BIDIRECTIONAL TRACTOR**

BLOCK, HEAD & RELATED PARTS

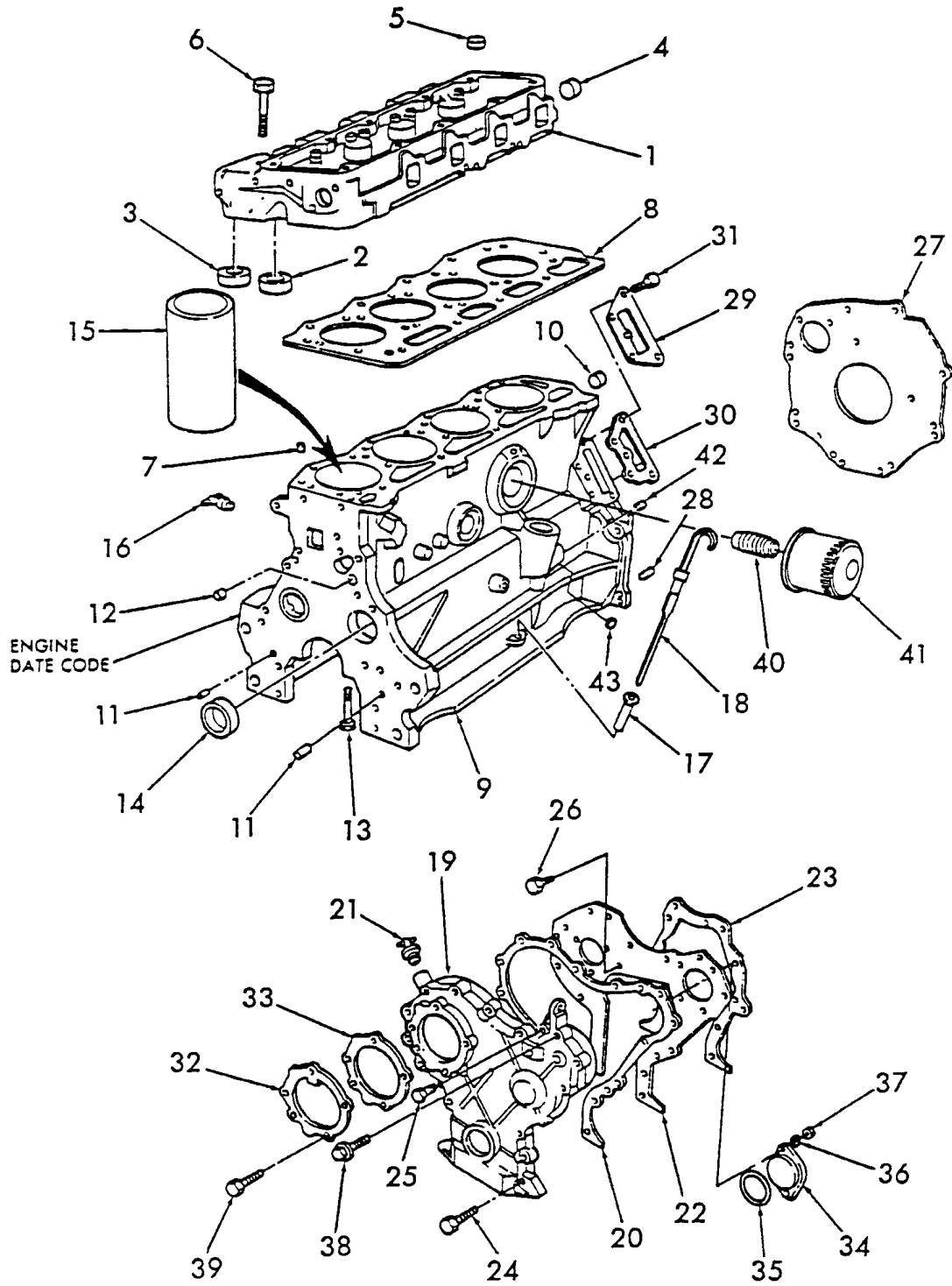


BLOCK, HEAD & RELATED PARTS

REF FN	PART NUMBER	YR/SN	QTY DESCRIPTION
6	87802206		13 BOLT Cyl Hd, 9/16" - 12 x 130mm Bolt, 9/16"-12 UNC 2A x 5-1/32"
7	83960218		2 BUSHING 15.16mm ID x 17.21mm OD x 11.2mm L Dowel, .676" x .44"
8	87800517		1 CYLINDER HEAD GASKET 1.6mm Thk Gasket
9	87840642		1 BLOCK Block, Cylinder, Bare
10	83957025		2 PLUG Plug, Cup, 1.761"
10	83957023		AR PLUG Plug, Cup, 1.50"
10	83957024		AR CUP PLUG 1.57" PLUG, CUP, , O/S 1.57"
10	83957026		AR PLUG Plug, Cup, 1.184" O/S
11	81808472		2 DOWEL Dowel, 3/8" x 1-1/8"
12	83956679		1 PLUG Plug, Cup, .636"
13	379548S		10 BOLT Bolt, 9/16" x 4.45"
14	87301590		5 CAMSHAFT BEARING 60.92mm ID x 64.52mm OD x 19.56mm L Bearing
15	D7NN6055A		4 LINER, ENGINE CYLIND Sleeve, Bore, 4.40"
16	81465471		1 DRAINCOCK/TAP SUPPLY Draincock
17	E2NN6784AA		1 TUBE 0.377" OD x 4.04" L Tube
18	87801533		1 DIPSTICK Dipstick
19	87802503		1 COVER Cover
20	83959876		1 GASKET 0.89mm Thk Gasket
21	83907851		1 FILLER CAP Cap Assy.
22	E5NN6C044AA		1 COVER Plate
23	E6NN6C045BA		1 GASKET Gasket
24	57651S36		8 SCREW Hex, 3/8" - 16 x 2-1/4" Screw, Cap, HH, W/Washer, G5, 3/8"-16 x 2-1/4"
24	378339S36		4 SCREW Hex, 5/16" - 18 x 2.12" Screw & Washer Assy., 5/16"-18 x 2-1/8"
24	88346		2 BOLT Hex, 5/16" - 18 x 2 1/2", Gr 5 Bolt, Hex, 5/16"-18 x 2 1/2", G5
25	57648S36		1 SCREW Screw, Cap, HH, W/Washer, G5, 3/8"-16 x 1-1/2"
26	45964S36		4 SCREW Screw, Cap, HH, G5, Self-Locking, 5/16"-18 x 3/4"
27	E5NN6A373AB		1 PLATE Plate

**276V-VERSATILE BIDIRECTIONAL TRACTOR 276VII-VERSATILE
BIDIRECTIONAL TRACTOR**

BLOCK, HEAD & RELATED PARTS

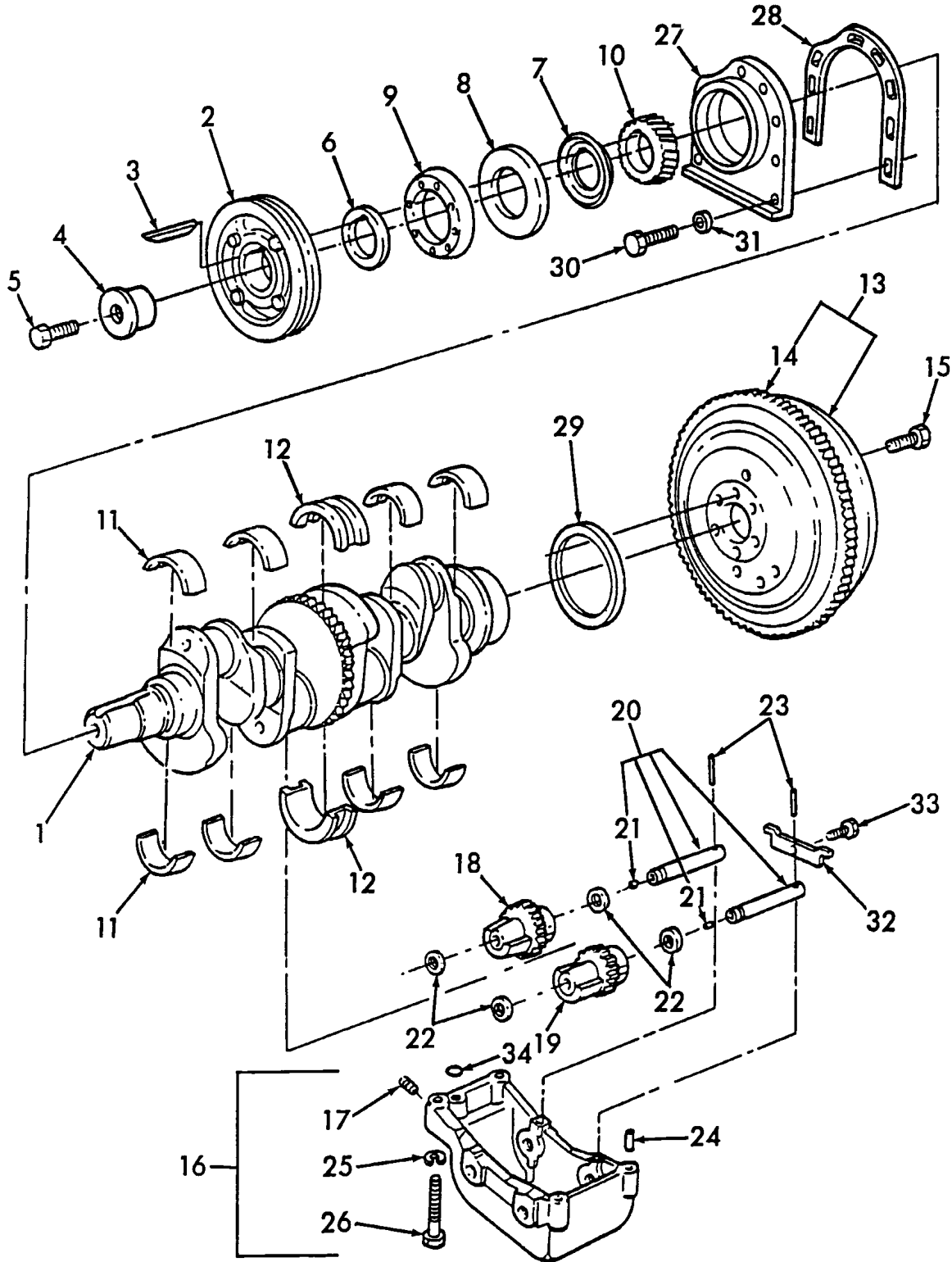


BLOCK, HEAD & RELATED PARTS

REF FN	PART NUMBER	YR/SN	QTY DESCRIPTION
28	86505157		2 DOWEL 1/2" x 1" Pin, Dowel, 1/2" OD x 1"
29	C7NND852A		1 COVER Cover
30	81822547		1 GASKET 1.52mm Thk Gasket
31	88434		4 BOLT Hex, 3/8" - 16 x 3/4", Gr 5 Screw, Cap, HH, G5, 3/8"-16 x 3/4"
32	C7NN9G524A		1 COVER Cover
33	83959395		1 GASKET 1.32mm Thk Gasket
34	C5NE3B681A		1 COVER Cover
35	379275S94		1 O-RING 0.103" Thk x 3.237" ID, -152, CI 5, 75 Duro O-Ring
36	80680		2 LOCK WASHER 3/8 0.381 CST ZND WASHER, LOCK, 3/8"
37	9628503		2 NUT 3/8"-16, G5 NUT, G5, 3/8"-16
38	87936		2 BOLT Hex, 3/8" - 16 x 2 1/2", Gr 5 BOLT, Hex, 3/8"-16 x 2 1/2", G5
39	379034S36		5 BOLT Bolt - 5/16" - 18 x 68"
40	D0NN6890A		1 INSERT Insert - Oil Filter
41	87800083		1 ENGINE OIL FILTER Spin-on, 3/4" - 16, 98mm OD x 140mm L Filter Assy.
42	502046		2 PLUG Plug, Pipe, 1/8"-27
43	80781		2 PLUG 3/8" - 18 NPT Plug, Pipe, Sq Hd, 3/8"-18
	236622		1 PLUG 3/8" - 18 NPT Plug - Hex 3/8"
	9617020		1 PLUG 1/4" - 18 x 0.48" Plug, Pipe, HS, 1/4"-18, NPTF
	F2NN6C057AA		1 PLUG Plug, SH, 1/2"-14 x .42"

**276V-VERSATILE BIDIRECTIONAL TRACTOR 276VII-VERSATILE
BIDIRECTIONAL TRACTOR**

CRANKSHAFT, FLYWHEEL & RELATED PARTS

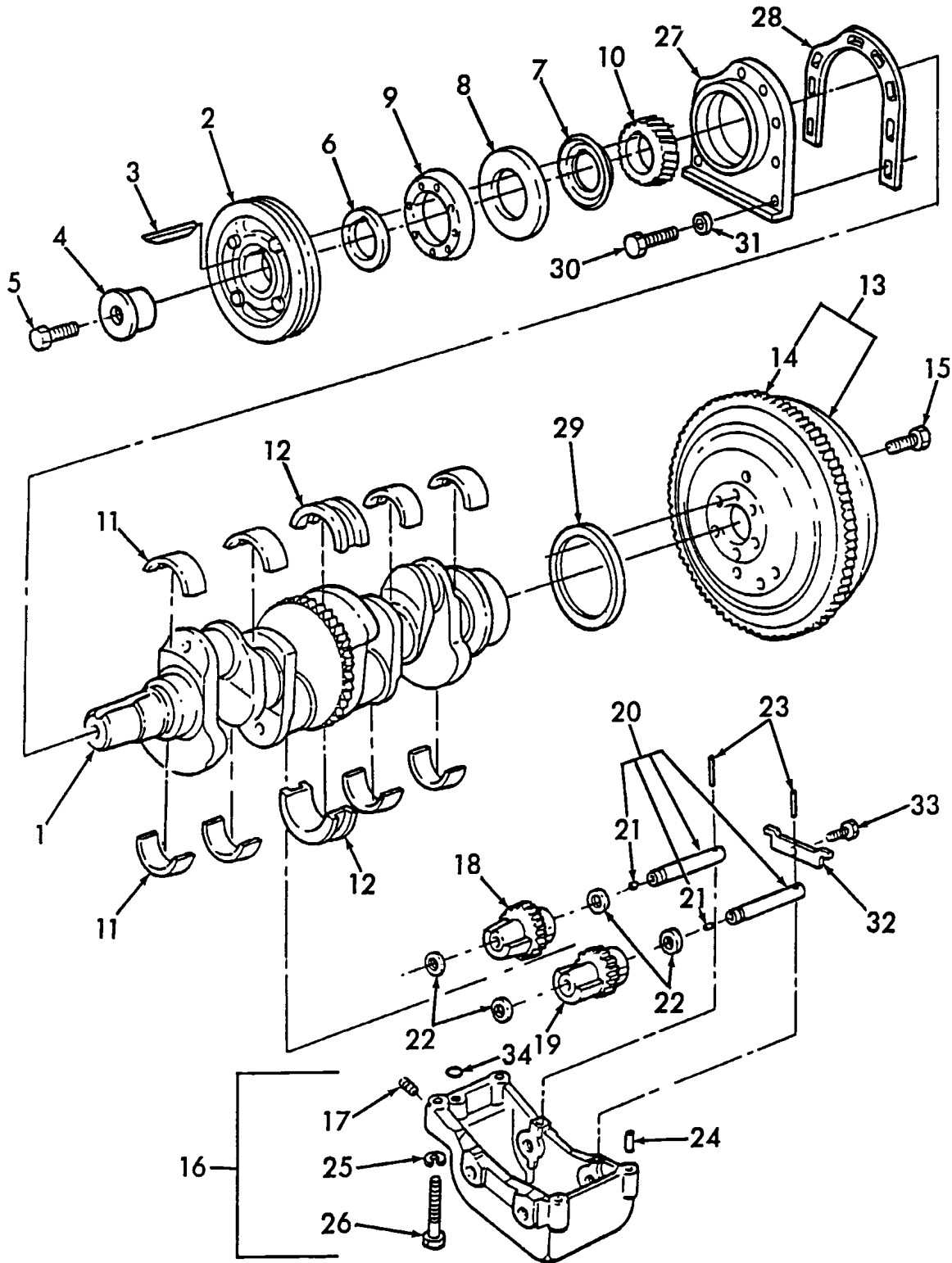


CRANKSHAFT, FLYWHEEL & RELATED PARTS

REF FN	PART NUMBER	YR/SN	QTY DESCRIPTION
1	F1NN6300BD		1 CRANKSHAFT
2	D8NN6316AC		1 DAMPER 3 Grooves
3	C9NN6N250A		1 KEY 5/16" x 3/8" x 2.86
4	E8NN6A349AA		1 PLATE Stop, Damper
5	P0401846		1 SCREW Cap, HH, G5, 3/4"-16 x 2-3/4"
6	C5NE6B306A		1 SPACER
7	C5NE6310B		1 SLINGER 44.96mm ID x 84.329mm OD x 0.889mm Thk Slinger
8	C5NE6B309A		1 SEAL
9	87800696		1 SEAL Assy.
10	E3NN6306BA		1 GEAR
11	87790348		4 SET OF STD MAIN BRGS Kit, Liner, Main Bearing, Standard Red
11	87790349		4 SET OF STD MAIN BRGS Kit, Liner, Main Bearing, Standard Blue
11	87790350		4 SET OF MAIN BRGS - Kit, Liner, Main Bearing, .002" (.051 mm) U/S, Green
11	87790351		4 SET OF MAIN BRGS - Kit, Liner, Main Bearing, .010" (.254mm) U/S
11	87790352		4 KIT Liner, Main Bearing, .020" (.508mm) U/S
11	87790353		4 KIT Liner, Main Bearing, .030" (.762mm) U/S
11	87790354		4 KIT Liner, Main Bearing, .040" (1.016mm) U/S
12	87790368		1 KIT Liner, Thrust Bearing, Standard Red
12	87790369		1 BEARING Kit, Liner, Thrust Bearing, Std, Blue
12	87790370		1 KIT Liner, Thrust Bearing, .002" (.0508mm) U/S
12	87790371		1 KIT Liner, Thrust Bearing, .010" (.254mm) U/S
12	87790372		1 KIT Liner, Thrust Bearing, .020" (.508mm) U/S
12	87790373		1 KIT Liner, Thrust Bearing, .030" (.762mm) U/S

**276V-VERSATILE BIDIRECTIONAL TRACTOR 276VII-VERSATILE
BIDIRECTIONAL TRACTOR**

CRANKSHAFT, FLYWHEEL & RELATED PARTS



CRANKSHAFT, FLYWHEEL & RELATED PARTS

REF FN	PART NUMBER	YR/SN	QTY DESCRIPTION
12	87790374		1 KIT Liner, Thrust Bearing, .040" (1.016mm) U/S
13	873366		1 ENGINE FLYWHEEL Flywheel Assy. Includes: Ref. 14 & 15
14	83949153		1 RING GEAR Gear
15	83909956		6 BOLT Hex, 9/16" - 18 x 1 5/8", Gr 8 Cap, HH, G8, Self-Locking, 9/16"-18 x 1-5/8"
16	F1NN6A311BA		1 BALANCER Dynamic Includes: Ref. 17 thru 23
17	510131		1 PLUG Pipe, 1/16"
18	F1NN6B302BA		1 GEAR SET Gear, L.H.
19	F1NN6B303BA		1 GEAR SET Gear, R.H.
20	E1TN6A305AA		1 SHAFT Assy. Includes: Ref. 21
21	502046		2 PLUG Pipe, 1/8"-27
22	87802137		4 THRUST WASHER Balancer Thrust, 1"
23	67673S2		2 PIN Coiled Spring, 5/16" x 2"
24	83960218		2 BUSHING 15.16mm ID x 17.21mm OD x 11.2mm L Dowel, .676" x .44"
25	80679		4 LOCK WASHER 1/20.507 CST ZND WASHER, LOCK, 1/2"
26	20987		4 BOLT Hex, 1/2" - 13 x 2 1/2", Gr 8 Screw, Cap, HH, G8, 1/2"-13 x 2-1/2"
27	E5HN6N306AC		1 PLATE
28	E9NN6N305AB		1 GASKET
29	83955247		1 SEAL 120.6mm ID x 141.12mm OD x 11.81mm Thk Assy.
30	9635884		8 BOLT Hex, 5/16" - 18 1", Full Thd, Gr 5
31	80681		8 LOCK WASHER 5/16" Washer, Lock, 5/16"
32	E1TN6N303AA		1 RETAINER
33	45964S36		1 SCREW Cap, HH, G5, Self-Locking, 5/16"-18 x 3/4"
34	379847S		1 O-RING 1.85mm Thk x 15.72mm ID .614" ID x .070" Thk

**276V-VERSATILE BIDIRECTIONAL TRACTOR 276VII-VERSATILE
BIDIRECTIONAL TRACTOR**

**Thanks very much for your reading,
Want to get more information,
Please click here, Then get the complete
manual**

JustClickHere 

NOTE:

**If there is no response to click on the link above,
please download the PDF document first, and then
click on it.**

**Have any questions please write to me:
admin@servicemanualperfect.com**